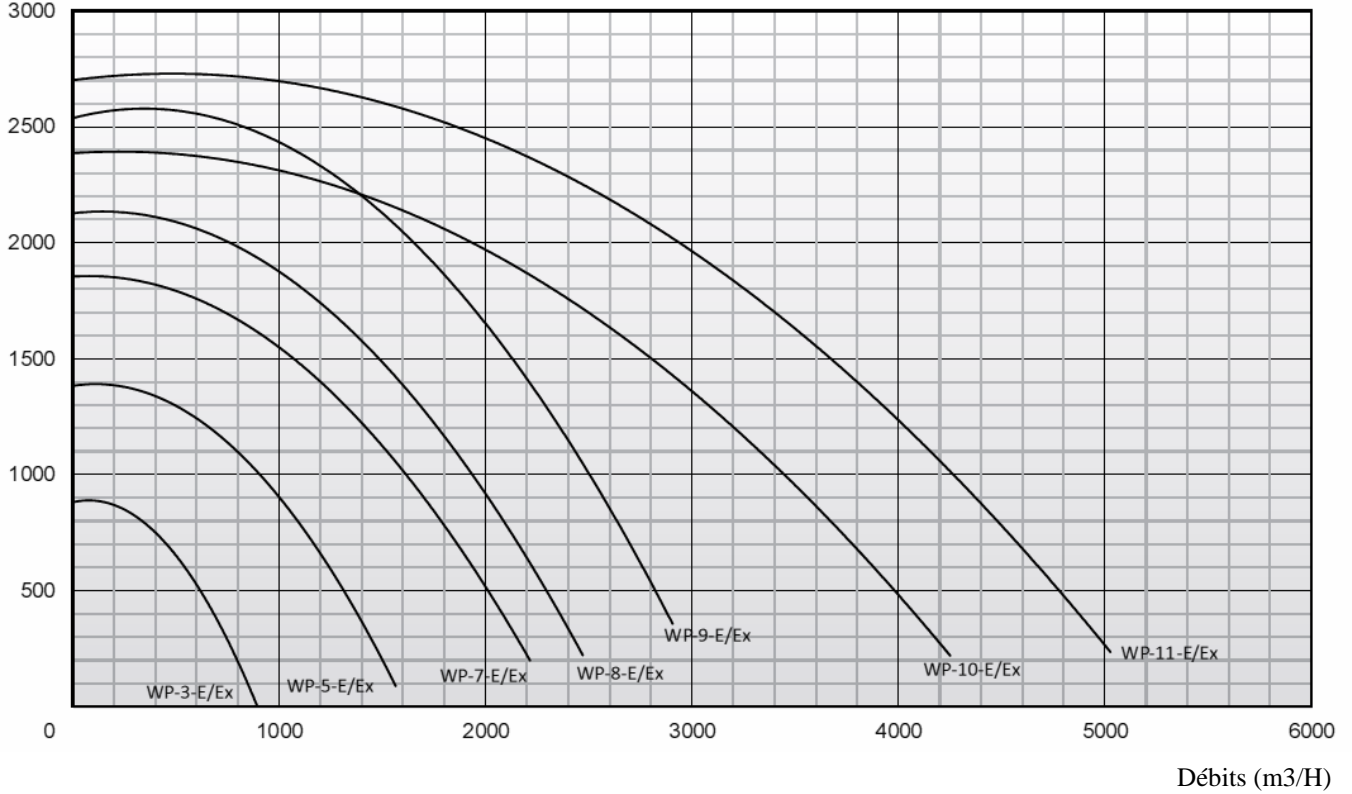


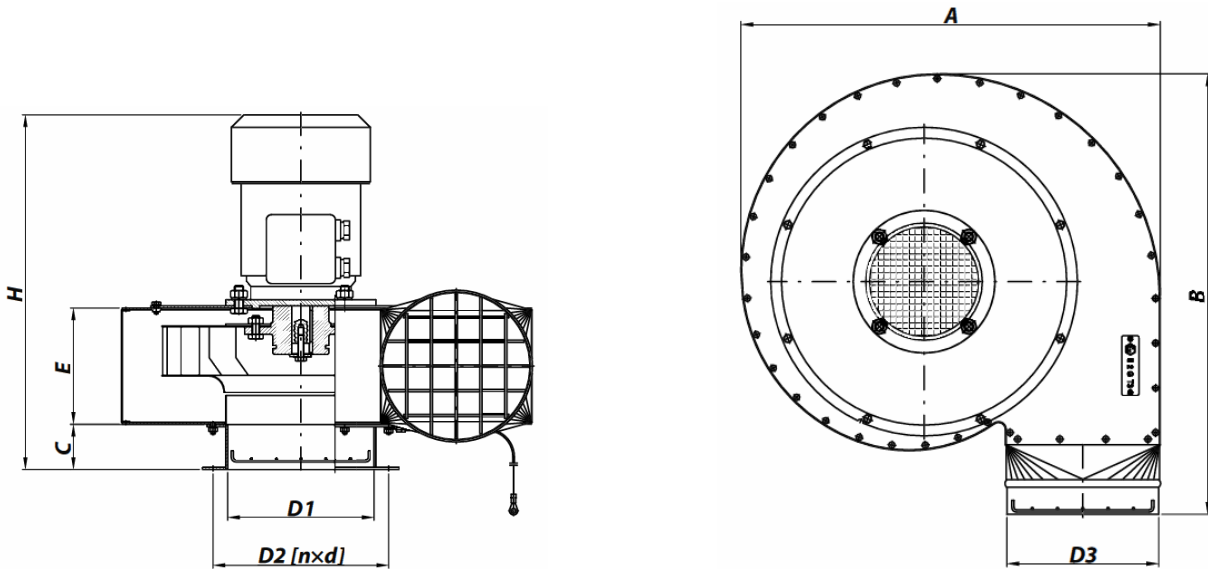
Courbes Débits/Pression

Pression

(Pa)



Dimensions :



Type	A [mm]	B [mm]	C [mm]	D [mm]	E [mm]	F [mm]	N [pc]	G [mm]	H [mm]	J [mm]
WP-3-E/Ex	410	385	50	125	125	155	6	6.5	410	130
WP-5-E/Ex	485	480	60	160	160	194	6	6.5	445	140
WP-7-E/Ex	550	520	60	200	160	194	6	6.5	485	155
WP-8-E/Ex	570	550	60	200	200	224	8	8.5	550	155
WP-9-E/Ex	615	610	60	200	200	224	8	8.5	525	155
WP-10-E/Ex	645	615	60	250	250	274	8	8.5	685	232
WP-11-E/Ex	665	635	60	250	250	274	8	8.5	650	232